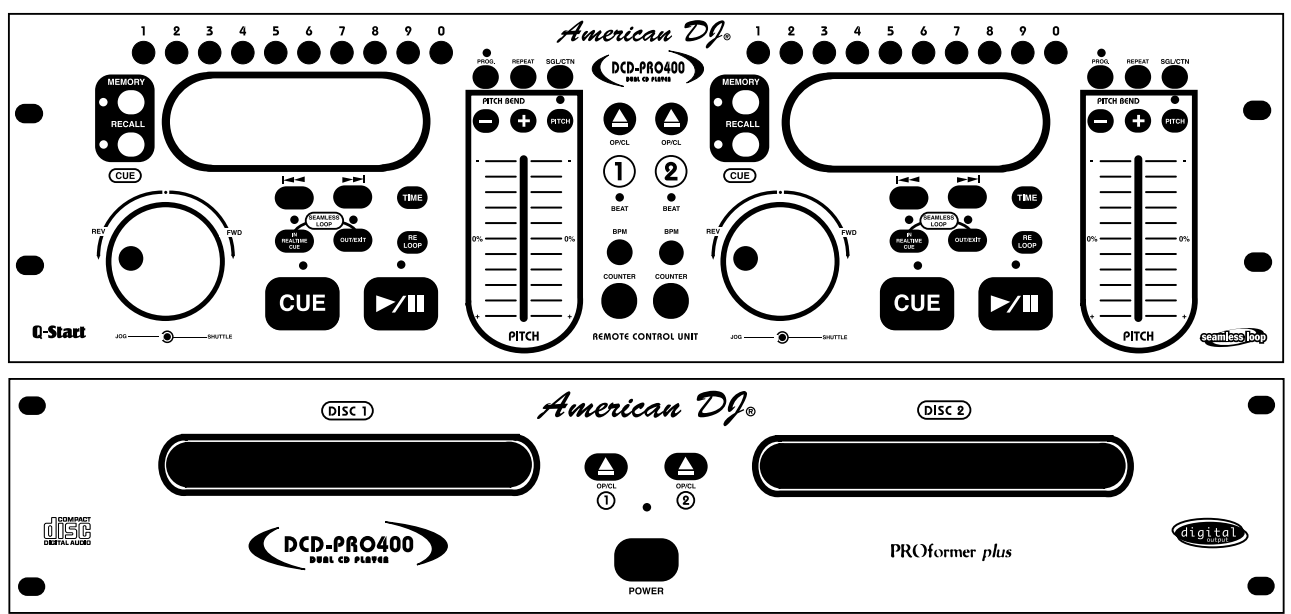


# American DJ AUDIO

## DCD-PRO400 DUAL CD PLAYER

Featuring:  
Fader "Q" Start & Seamless Loop



*PROformer plus*

**designed for the working dj**

**IMPORTANT SAFETY ITEMS FOR U.S.A. & CANADA MODEL ONLY**

**WARNING:**  
TO PREVENT FIRE OR SHOCK HAZARD,  
DO NOT EXPOSE THIS CD PLAYER TO  
WATER OR MOISTURE.

**CAUTION:**

1. Handle the power supply cord carefully. Do not damage or deform; it may cause electric shock or malfunction when used. Hold plug attachment when removing from wall outlet. Do not pull on the cord.
2. To avoid electric shock, do not open the top cover when the unit is plugged in. If problems occur with the unit, call your local American DJ AUDIO dealer.
3. Do not place metal objects or spill liquid inside the CD player. Electric shock or malfunction may occur.

Please record and retain the model name and serial number from your rating label.

Model No. \_\_\_\_\_  
Serial No. \_\_\_\_\_

**CAUTION**

**Do not open -  
risk of electric shock**




CAUTION: TO REDUCE THE RISK OF ELECTRIC SHOCK, DO NOT REMOVE THE COVER RACK. THERE ARE NO USER SERVICEABLE PARTS INSIDE. REFER SERVICE TO YOUR AUTHORIZED AMERICAN DJ AUDIO DEALER.



The lightning flash with an arrow triangular symbol is intended to alert the user to the presence of uninsulated "dangerous voltage" within the products enclosure, and may be of sufficient magnitude to constitute a risk of electric shock.



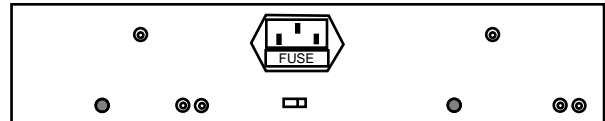
The exclamation point triangular symbol is intended to alert the user to the presence of important operating and maintenance (servicing) instructions in the user manual accompanying the CD player.

**NOTE:**

This CD player uses a semiconductor laser. It is recommended for use in a room at the following temperature: 41°F - 95°F / 5°C - 35°C

**CAUTION**

TO PREVENT ELECTRIC SHOCK DO NOT USE THIS (POLARIZED) PLUG WITH AN EXTENSION CORD, RECEPTACLE OR OTHER OUTLET UNLESS THE BLADES CAN BE CAREFULLY INSERTED TO PREVENT BLADE EXPOSURE.



**CAUTION:**  
USE OF CONTROLS OR ADJUSTMENTS OTHER THAN THOSE SPECIFIED HEREIN MAY RESULT IN HAZARDOUS RADIATION EXPOSURE.

THE COMPACT DISC PLAYER SHOULD NOT BE ADJUSTED OR REPAIRED BY ANYONE EXCEPT PROPERLY QUALIFIED SERVICE PERSONNEL.

**NOTE:**

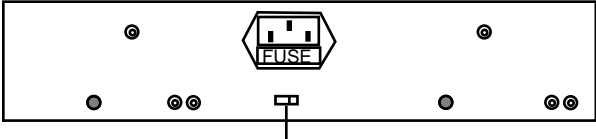
This unit may cause interference to radio and television reception.

**Line Voltage Selection**  
(for multiple voltage model only)

- The desired voltage may be set with the VOLTAGE SELECTOR switch on the rear panel (using a screwdriver).
- Do not twist the VOLTAGE SELECTOR switch with excessive force as this may cause damage.
- If the VOLTAGE SELECTOR switch does not move smoothly, please contact a qualified service technician.

115V

230V



VOLTAGE SELECTOR switch

# SAFETY INSTRUCTIONS

1. Read Instructions - All the safety and operating instructions should be read before the appliance is operated.
2. Save Instructions - The safety and operating instructions should be saved for future reference.
3. Heed Warnings - All warnings on the appliance and in the operating instructions should be adhered to.
4. Follow Instructions - All operating and user instructions should be followed.
5. Water and Moisture - The appliance should not be used near water - for example, near a bath tub, washbowl, kitchen sink, laundry tub, in a wet basement or near a swimming pool, etc.
6. Ventilation - The appliance should be situated so that its location or position does not interfere with its proper ventilation. For example, the appliance should not be situated on a bed, sofa, rug, or similar surface that may block the ventilation openings; or, placed in a built-in installation, such as a bookcase or cabinet that may impede the flow of air through the ventilation openings.
7. Heat - The appliance should be situated away from heat sources such as radiators, heat registers, stoves, or other appliances (including amplifiers) that produce heat.
8. Power Sources - The appliance should be connected to a power supply only of the type described in the operating instructions or as marked on the appliance.
9. Grounding or Polarization - Precautions should be taken so that the grounding or polarization means of an appliance is not defeated.
10. Power-Cord Protection - Power-supply cords should be routed so that they are not likely to be walked on or pinched by items placed upon or against them, paying particular attention to cords at plugs, convenience receptacles, and the point where they exit from the appliance.
11. Cleaning - The appliance should be cleaned only as recommended by the manufacturer.
12. Non-use Periods - The power cord of the appliance should be unplugged from the outlet when left unused for a long period of time.
13. Object and Liquid Entry - Care should be taken so that objects do not fall and liquids are not spilled into the enclosure through openings.
14. Damage Requiring Service - The appliance should be serviced by qualified service personnel when:
  - A. The power-supply cord or the plug has been damaged.
  - B. Objects have fallen, or liquid has been spilled into the appliance.
  - C. The appliance has been exposed to rain or water.
  - D. The appliance does not appear to operate normally or exhibits a marked change in performance.
  - E. The appliance has been dropped, or the enclosure damaged.
15. Servicing - The user should not attempt to service the appliance beyond that described in the operating instructions. All other servicing should be referred to qualified service personnel.

# PREPARATIONS

## 1. Checking the Contents

Check that the carton contains the following items:

- 1) Main unit
- 2) Control unit
- 3) Operating instructions ( this booklet)
- 4) Two sets of RCA cables.
- 5) Two Control cords (6 feet / 1.8 meters)

## 2. Installing the Units

Mount the units onto your console or rack with 19" EIA rack rails.

### CAUTION:

- The player will work normally when the main unit is mounted with the front panel within 15 degrees of the vertical plane. If the unit is tilted excessively, discs may not be loaded or unloaded properly. **(Figure 1)**

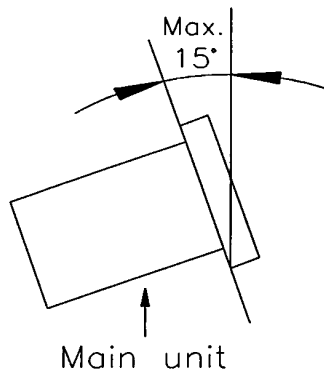


Fig. 1

- The control panel's LCDs are designed to be clearly visible within the angles shown in **Figure 2**. Mount the control unit so that the visual angle is within this range.

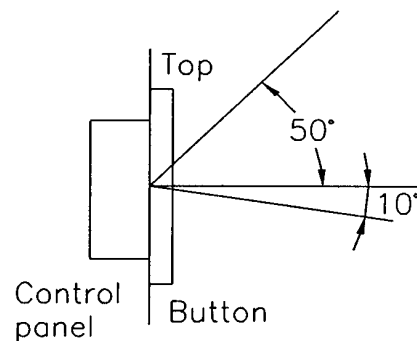


Fig. 2

## 3. Connections

- 1) Turn off the POWER switch.
- 2) Connect the RCA pin cables to the inputs on your mixer.
- 3) Connect the control cables to the REMOTE connector on the main unit.

### CAUTION:

Be sure to use the supplied control cables. Using another type of cable may result in damage. Be sure the power is off when connecting the control cables. Otherwise the units may not work properly.

# GENERAL NOTES ON USE

- Avoid high temperatures. Allow for sufficient heat dispersion when installed on a rack.
- Handle the power cord carefully.
- Hold the plug when unplugging the cord.
- Keep the set free from moisture, water, and dust.
- Unplug the power cord when not using the set for long periods of time.
- Do not obstruct the ventilation holes. (For sets with ventilation holes.)
- Do not let foreign objects in the set.
- Do not let insecticides, benzene, and thinner come in contact with the set.
- Never disassemble or modify the set in any way.

# MAIN FEATURES

- |   |  |
|---|--|
| (1) 8 times over sampling 1 bit D/A converter   | (13) Large bright LCD Screen can be viewed from wide angles. |
| (2) Beat counter  | (14) 60 seconds transport protection <b>(b)</b>              |
| (3) Auto cue  | (15) Seamless Loop   |
| (4) 1/75th second frame search  | (16) CD Recordable (CDR) compatible                          |
| (5) Realtime cue ("Cue on the Fly")   | (17) Flip-Flop, Relay Playback <b>(c)</b>                    |
| (6) 6 different speed scan  | (18) +/- 8%, 12%, 16% on Pitch Slider                        |
| (7) Pitch display   | (19) Sleep Mode after 15 min. <b>(d)</b>                     |
| (8) 10 number buttons for direct track access   | (20) Bop Effect <b>(e)</b>                                   |
| (9) 30 + 30 programmable tracks   | (21) Jog Wheel Pitch Bend +/- 16%                            |
| (10) 10 + 10 cue points can be memorized  | (22) Memory Backup, Default to last setting <b>(f)</b>       |
| (11) Digital output RCA coaxial   | (23) Instant Start   |
| (12) Fader Start , Fader Stop , (back cue) Relay playback (using the control jack) and must use ADJ mixers <b>(a)</b> | (24) "Q" Start Control <b>(g)</b>                            |

**(a)** Must have an American DJ mixer equipped with **FADER "Q" START**

**(b) 60 SECOND TRANSPORT PROTECTION:** Will automatically close transport if left open for more than 60 seconds to prevent someone from walking by and breaking the transport.

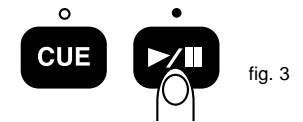
**(c) FLIP-FLOP:** On the back of the control unit there are 2 inputs that say control use a standard mini plug (stereo), plug in from Side 1 to Side 2. Set both sides of the CD player to single mode on the control. Now when you play Disc 1 at the end of the last song the CD player will automatically change to Disc 2. Then when Disc 2 ends it will return to Disc 1, etc., etc.

**(d) SLEEP MODE:** The CD player automatically shuts off the transport and laser after 15 minutes (when in pause or cue mode). This will lengthen the life of your motor drive and laser. To restart player, just press cue or play buttons.

**(e) BOP EFFECT:** A Bop Effect is a stutter, creating a sound similar to a CD skipping. The Bop Effect can be created in 2 ways.

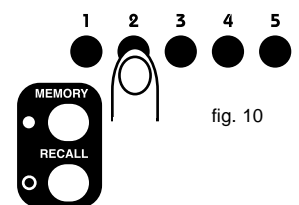
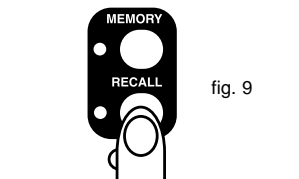
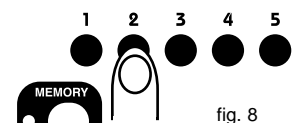
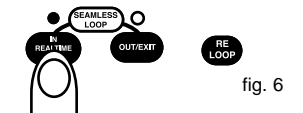
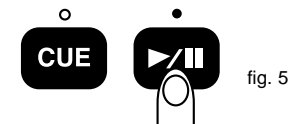
**(1) By Rapidly Pressing the CUE BUTTON (20)**

- Press PLAY/PAUSE BUTTON (22) so that music is playing. PLAY/PAUSE LED will light (figure 3).
- Next, rapidly press the CUE BUTTON (20) in sync with the music (figure 4).



**(2) By Hitting The DIRECT TRACK ACCESS BUTTONS (3)**

- Press PLAY/PAUSE BUTTON (22) so that music is playing. PLAY/PAUSE LED will light (figure 5).
- Press IN REALTIME CUE BUTTON (19) (figure 6). (For more information on CUE POINT see CUE on page 7 and CUEING page 9).
- Press MEMORY BUTTON (2) to set a CUE POINT in memory. MEMORY LED will light (figure 7).
- Press desired DIRECT TRACK ACCESS BUTTON (3) (figure 8).
- Press RECALL BUTTON (2) (figure 9).
- Once RECALL LED lights, rapidly press the DIRECT TRACK ACCESS BUTTON (3) previously selected. (figure 10)



**NOTE:** The second way of creating a BOP EFFECT is superior because after rapidly pressing the DIRECT TRACK ACCESS BUTTON (3) there will be no interruption of music.

**(f) Memory Backup:** This will automatically keep your last setting (repeat, SGL, CTN) even if you unplug AC- current. It will also hold your cue points in memory if you accidentally open transport or shut off power. Memory cues are erased automatically when a new CD is played, or by holding memory button down for 3 -4 seconds.

**(g) "Q" Start Control:** This feature is used with American DJ mixers featuring Fader "Q" Start. Connect the standard mini plugs, supplied, from Disc 1 output on CD player to the "A" player control input on the rear of mixer. Then connect the other supplied mini plug from Disc 2 output on CD player to the "B" player control input on the rear of mixer. By moving the mixer fader from left to right you can start and pause Disc1 and Disc 2 respectively. In other words, when the cross-fader of the mixer is to the left, and you move it 20% to the right, Disc 2 will begin to play. When the cross-fader is to the right, and you move it 20% to the left, Disc 1 will begin to play. You can create great effects similar to scratching with this feature. After storing cue points on each side of the CD player, different songs or samples can quickly be recalled by moving the mixer cross-fader back and forth. New cue points can be easily selected on the CD player(1,19,20). "Q" Start control is easy to use and mastering this feature will help you create amazing effects with your music.

# GENERAL FEATURES

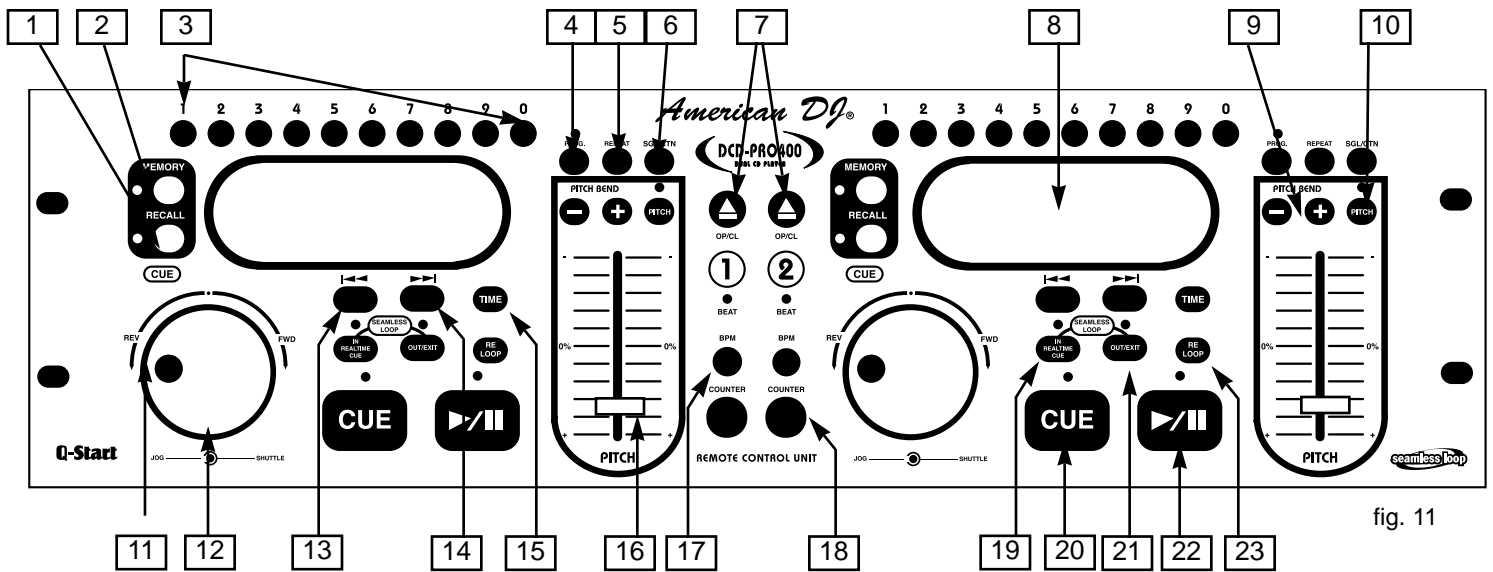


fig. 11

A. Remote unit front (figure 11)

**1. RECALL** - This button allow you to cue up any of the 10 memory points that have been memorized. Press **RECALL** button then any of the 10 number buttons. the player will cue up the selected point and pause.

**2. MEMORY** - This button allows you to program up to 10 cue points on the CD, first set a cue point.(See Cue Section) Press the **MEMORY** button during play or pause, the memory LED lights up. Use frame search to reach desired point, then press a number button to memorize that starting point. Repeat above steps to memorize all 10 starting points if desired.

**3. DIRECT TRACK ACCESS BUTTONS** - (1 to 10) These buttons are used to select a particular track number starting point. They are also used in **MEMORY (2)** and **RECALL (1)** modes.

**4. PROGRAM** - Depress this button to stop the CD an enter the program mode. Note the word "PROGRAM" is indicated on the display. Select each track to be programmed with the f. skip and b.skip buttons (13 & 14). and press the PROGRAM button between selections. You can program up to 30 tracks. Press PLAY to start the program. To exit and erase program hold the program button down for more than 2 seconds while the unit is stopped, open the disc tray, or turn off the power.

**5. REPEAT** - This button allows you to select between REPEAT 1 or REPEAT ALL continuous play.

**6. SGL/CTN** - You can choose between a single track to play or all tracks in order by pressing once or twice.

**7. OPEN/CLOSE** - (Disc Tray Open/Close)- Press to load or eject the disc. Each press will open or close the disc tray on the transport. NOTE: Tray will not open unless the disc has been paused.

**8. LCD DISPLAY** - Indicates all the functions, as they are occurring, with the CD. These functions are explained in the next section.

**9. (+) & (-) PITCH BEND Button** - When each of the two CD players is playing a CD, the pitch bend function allows the positioning of the bass beats to be matched after the pitch of each disc is matched. Either player can "catch up" or "fall back" to match the other player. The pitch will automatically rise while the + button is pressed (allowing "catch up") and return to the original pitch when the button is released. The pitch will automatically drop while the - button is pressed (allowing "fall back") and return to the original pitch when the button is released. By changing the pitch of one disc with respect to the other in this way the beats can be matched.

**10. PITCH** - +/- 8%, +/-12%, +/-16% (Pitch Button)- This button activates the Pitch Slider (14). Select percentage (%) of pitch by holding the PITCH BUTTON. When pitch LED is lit, press down the PITCH BUTTON and tap the PLUS BUTTON (+) (9) until desired pitch percentage (%) is reached.

**11. SHUTTLE WHEEL** - (OUTER RING) This wheel has 6 forward and 6 reverse speed positions for searching through songs. The more you turn the wheel in either direction the faster you search through the music.

**12. JOG WHEEL** - (INNER RING) This jog wheel serves two functions depending on the mode you are working in.

a. The jog wheel will act as a slow frame search control when the CD is not playing but either paused or set to a cue point. To set a new frame cue point, spin the wheel then press PLAY when you have determined the proper position. Press CUE to return to the "CUE POINT".

b. It also works as a pitch bend, when you turn clockwise the pitch will rise to 16%, and when you turn counterclockwise it will fall to -16%. The pitch bend is determined on how fast you turn the wheel.

## GENERAL FEATURES (Cont.)

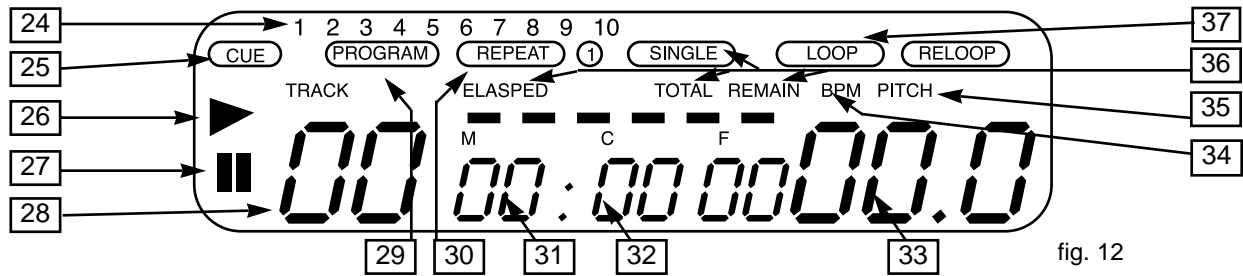


fig. 12

**13, 14. TRACK BUTTONS** - These buttons are used to select the track to be played. **▶▶** FORWARD SKIP & **◀◀** BACK SKIP.

**15. TIME BUTTON** - The TIME button switches between ELAPSED PLAYING TIME, REMAINING TIME in a selection and TOTAL REMAINING TIME of the disc.

**16. PITCH SLIDER** - The pitch can be changed from +/- 8%, +/- 12% or +/- 16%. Press the PITCH BUTTON (10) until the PITCH LED is lit, then move the PITCH SLIDER (16). The pitch will not be changed if the PITCH LED is off. Pitch percentage (%) can be changed by holding the PITCH BUTTON (10) and pushing the plus (+) button to change the percentage (%) selection.

**17. BPM BUTTON** - Switches the mode of the display between the BPM or the percentage (%) change in PITCH. Use COUNTER BUTTON (18) to change modes. BPM or PITCH mode will appear in LCD DISPLAY (8 & 33, 34, 35)

**18. COUNTER BUTTON** - When in BPM mode, tap this button with the beat of the music to determine the current Beats Per Minute (BPM). BPM will appear in the LCD DISPLAY (8, 33).

**19. IN REALTIME BUTTON** - (CUE "ON THE FLY") This allows you to set a CUE POINT without stopping the play back. This button also sets the beginning of a seamless loop. To create a SEAMLESS LOOP see page 9.

**20. CUE** - Pressing the CUE button during play provides a return to the position at which play was started. If PAUSE is used before CUE or a CUE POINT was set, that will become the cue point. Alternately pressing the PLAY button and the CUE button allows the CD to be played from the same position any number of times. The CUE LED will light up from the time the Cue button is pressed until the CD has reset to the position at which play was started. Steady lighting of this LED indicates the ready condition. The CUE button can be held down to play a CD. When you release the CUE button it instantly returns to the CUE POINT. You can also tap the CUE button to create a BOP EFFECT (for definition of BOP EFFECT, see page 5).

**21. OUT / EXIT** - Used to set the ending point when looping. When the OUT/EXIT button is pressed, the player will play the loop continuously. To exit the loop, press the OUT/EXIT button again.

**22. PLAY/PAUSE BUTTON** - Each press of the PLAY/PAUSE BUTTON causes the operation to change from play to pause or from pause to play.

**23. RELOOP BUTTON** - If a SEAMLESS LOOP has been made, but the CD Player is not actively in SEAMLESS LOOP mode, press the RELOOP BUTTON (23) to reactivate the SEAMLESS LOOP mode. RELOOP will appear in the LCD DISPLAY (37). To exit loop, press the OUT/EXIT BUTTON (21).

**24. PROGRAMMED CUE POINTS** - Indicates how many CUE POINTS have been saved. Save up to 10 CUE POINTS per side. For setting CUE POINTS see (20).

**25. CUE INDICATOR**- appears when the CUE BUTTON (20) is pushed.

B. LCD Display (figure 12)

**26. PLAY INDICATOR (▶)** - The PLAY indicators light during playback.

**27. PAUSE INDICATOR (||)** - The PAUSE indicators light during pause or cue mode.

**28. TRACK INDICATOR** - Displays which TRACK is being played.

**29. PROGRAM INDICATOR** - This lights when program mode is set or played.

**30. REPEAT Indicator** - (REPEAT 1, REPEAT ALL) These light during repeat one or all playback.

**31, 32. MINUTE, SECOND INDICATOR** - Displays time of current track.

**33. PITCH OR BPM DISPLAY** - Show either beat per minute or percent of pitch adjustment (see also 17, 18).

**34. BPM INDICATOR** - Lights when BPM Button is engaged.

**35. PITCH INDICATOR**- Lights when PITCH is engaged.

**36. ELAPSED & TOTAL REMAIN INDICATORS** - These indicate that the time shown on the display is the ELAPSED, TOTAL remaining or SINGLE song remaining time.

**37. LOOP, RELOOP** - Appears when LOOP is engaged. LOOP flashes in LCD DISPLAY (8) when playing loop.

C. MAIN UNIT REAR PANEL (figure 5)

**38. AUDIO OUT 1 & 2** - Audio Out signals. Connect RCA cable from AUDIO OUT to a mixer input.

**39. REMOTE 1 & 2** - Connect supplied 8-pin cable from REMOTE 1 on MAIN UNIT to REMOTE 1 on CONTROL UNIT (42).

**40. DIGITAL OUT** - connect to Minidisc or CD-R device.

**41. VOLTAGE SELECTOR** - Select which voltage desired: 115V or 230V. Always disconnect the power plug before changing the voltage.

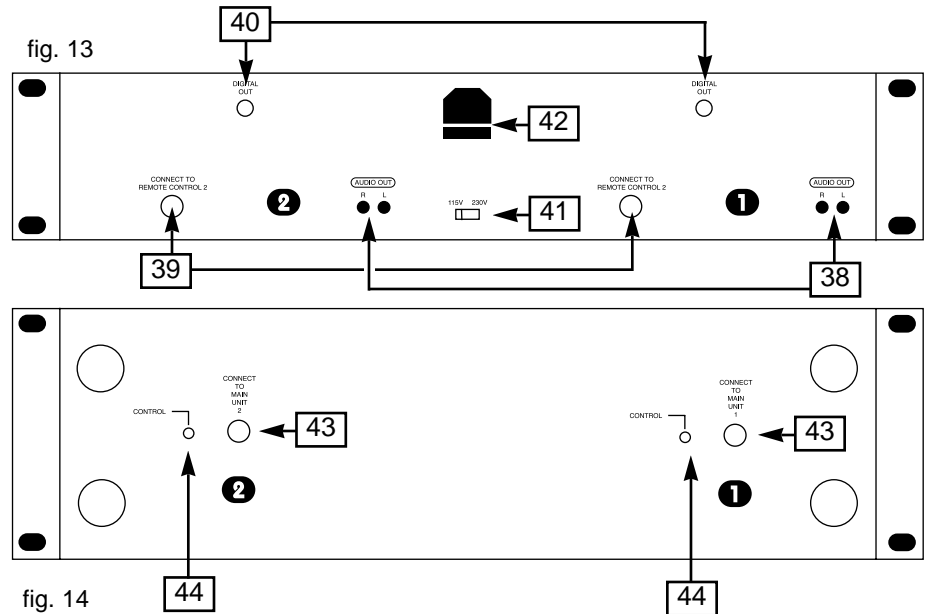
**42. POWER CONNECTOR/FUSE** - ICE Power Connector with built-in fuse holder. Always replace with same type fuse.

## GENERAL FEATURES (Cont.)

E. CONTROL UNIT REAR PANEL  
(figure 14)

**43. CONNECT TO MAIN UNIT -**  
Connect supplied 8-pin cable from REMOTE 1 on MAIN UNIT (39) to REMOTE 1 on CONTROL UNIT.

**44. CONTROL -** Connect mini-plug from CONTROL out on rear of CONTROL UNIT to a mixer's CONTROL out. This feature is available on all mixers with Fader "Q" Start (see also "Q" Start Control p.5).



## BASIC OPERATIONS

### 1. OPENING AND CLOSING THE DISC TRAY AND LOADING DISCS

#### a) Opening and closing the disc tray

- This operation only works when the power is on.
- Press the OPEN/CLOSE button to open or close the disc tray. OPEN/CLOSE buttons are provided on both the main unit and control unit or, Press PLAY button, tray automatically closes.
- If tray is not closed after 60 seconds it will close automatically and pause.
- The disc trays cannot be opened during playback to prevent playback from being interrupted if the OPEN/CLOSE button is pressed accidentally. Stop playback, then press the OPEN/CLOSE button.

### 2. LOADING DISCS

- Hold the disc by the edges and place it in the disc tray. Do not touch the signal surface (the glossy side).
- When using 5 inch/12 cm discs, place the disc in the outer tray guides (Figure 15), and when using 3 inch/8 cm discs, place them securely in the inner guides (Figure 16).

#### CAUTION:

- **DO NOT** place any foreign objects in the disc tray, and do not place more than one disc in the disc tray at a time. Doing so may result in malfunction.
- **DO NOT** push the disc tray in manually when the power is off, as this may result in malfunction and damage the player.

### 3. SELECTING TRACKS

- Select desired track using NUMBER Button or
- Press the TRACK Buttons once to move to one higher or lower track or
- Hold the TRACK buttons in to change tracks continuously at a higher speed.
- When a new track is selected during playback, playback begins as soon as the search operation is completed.

### 4. STARTING PLAYBACK

- Press the PLAY/PAUSE button during the pause or cue to start playback.
- The PLAY indicator lights when playback starts.
- The point at which playback starts is automatically stored in the memory as the cue point. The pickup then returns to the cue point (the point at which playback started) when the CUE button is pressed. (Back Cue)

5 in. / 12cm disk

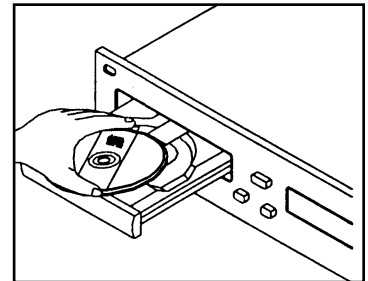


Fig. 15

3 in. / 8cm disk

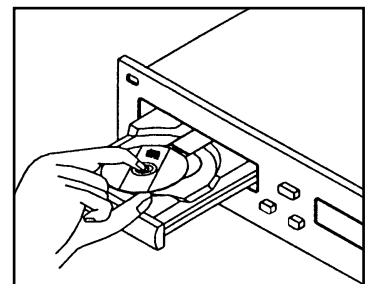


Fig. 16

# BASIC OPERATIONS (CONT.)

## 5. STOPPING PLAYBACK

- There are two ways to stop playback.
  - 1) Press the PLAY/PAUSE button during playback to pause at that point.
  - 2) Press the CUE button during playback to return to the position at which playback started.

## 6. PAUSING

- Press the PLAY/PAUSE button to switch between play and pause.
- The PAUSE indicator lights when the pause mode is set.
  - 1) The player has completed the cue or pause operation and is waiting for the play start command.
  - 2) When the PLAY/PAUSE button is pressed, playback starts and the cue point is stored in the memory.
  - 3) The pause mode is set when the PLAY/PAUSE button is pressed again.
  - 4) Playback resumes when the PLAY/PAUSE button is pressed again. The new cue point is stored in the memory.

## 7. CUEING

- "Cueing" is the action of preparing for playback. When the Cue button is pressed, playback returns to the cue point and enters pause mode. When the PLAY/PAUSE button is pressed during the cue mode, playback starts.
- **CUE POINT SETTING:**
  - A Playback starts from pause or skip to a new track during play or pause. The beginning play point will be set to the cue point.
  - B Or, Press the REALTIME CUE button during playback to set the new cue point.
  - C Or, Save up to 10 CUE points by pressing MEMORY, then set desired Cue, then press any of 10 number buttons. You can also set any of the 10 Cue points by pressing MEMORY then any of the NUMBER Buttons (3) above the LED screen.
    - To return to a CUE POINT press CUE BUTTON. This will return to point A or B above. The player has completed the cue or pause operation and is waiting for the play start command. When the PLAY/PAUSE button is pressed, playback starts.
    - To Return to any of the 10 Cue points, press RECALL, then desired number buttons. The player has completed the cue or pause operation and is waiting for the play start command. When the PLAY/PAUSE button is pressed, playback starts.
    - To recall cues, if the recall LED is lit you can press the last number button cue stored and create a BOP EFFECT (see also p.5). The last cue that was stored or recalled will flash in the LED screen to let you know it was last cued up.

**NOTE:** When play starts via pause or track skipping or scanning, the CUE POINT will change to the start point automatically.

## 8. AUTO CUE

When disk is loaded, the cue point is set to the first source of music. If track is changed before pressing play, the CUE POINT is changed to the new starting point. If you pause during playback this also sets the new CUE POINT.

## 9. FRAME SEARCH

This is done by first pausing then using the jog wheel to set the starting point. (When you use the jog wheel the monitor function allows you to here what is playing. Once you have set starting point press PLAY then CUE to again mute output.)

## 10. SCANNING (FAST FORWARD / FAST REVERSE)

To do this rotate Shuttle wheel forward or reverse. You can scan or reverse in 6 different speeds depending on how much you rotate the wheel.

## 11. SEAMLESS LOOP PLAY

You can create a seamless loop between two points continuously.

- (1) Press PLAY/PAUSE BUTTON (22) so a CD is playing. The PLAY/PAUSE BUTTON'S LED lights (figure 17).
- (2) Press IN REAL TIME CUE BUTTON (19). This sets the starting point of the SEAMLESS LOOP. The IN REAL TIME CUE'S BUTTON LED will light (figure 18).
- (3) Press OUT/EXIT BUTTON (21) to set desired ending point of the SEAMLESS LOOP. You will know you are in SEAMLESS LOOP mode because IN REAL TIME and OUT/EXIT LEDs will light and flash. LOOP INDICATOR (37) in LCD DISPLAY (8) will also flash. Sound will continue with no interruption (SEAMLESS LOOP) (figure 19).
- (4) To exit SEAMLESS LOOP, press OUT/EXIT BUTTON (21). LEDs will stay on but not flash. Music will resume normal play (figure 20).
- (5) To replay loop, press the RELOOP BUTTON (23). IN REAL TIME and OUT/EXIT LEDs and LOOP INDICATOR (37) in LCD DISPLAY (8) will all begin flashing again (figure 21).

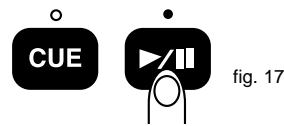


fig. 17

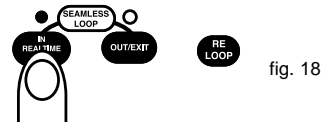


fig. 18

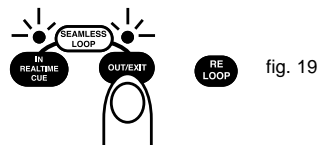


fig. 19

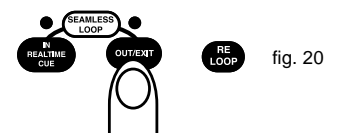


fig. 20

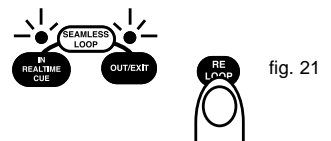


fig. 21

## BASIC OPERATIONS (CONT.)

### 11. SEAMLESS LOOP PLAY (CONT.)

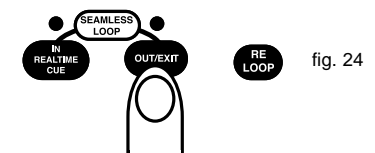
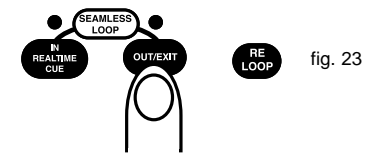
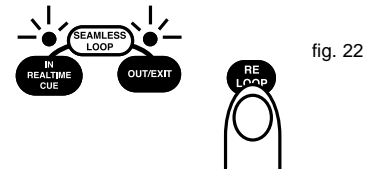
#### EDITING A LOOP:

- (1) (Must be in SEAMLESS LOOP mode). If a SEAMLESS LOOP has not been created, follow instructions on page 9 for creating a SEAMLESS LOOP. If a SEAMLESS LOOP has already been created, press RELOOP BUTTON (23) to reenter the SEAMLESS LOOP mode (figure 22).
- (2) Next, press OUT/EXIT BUTTON (21) to return to normal play (figure 23). This disengages the SEAMLESS LOOP mode.
- (3) Press OUT/EXIT BUTTON (21) again for new desired ending point of the loop (figure 24).

**FOR SHORTER LOOP:** press OUT/EXIT BUTTON (21) quickly.

**FOR LONGER LOOP:** Wait until the song plays several frames, then press OUT/EXIT BUTTON (21).

**NOTE: YOU CAN ONLY EDIT THE ENDING PART OF THE LOOP.**



### 12. TIME DISPLAY

During normal play, each time you press the TIME button, the display changes to give you the following information (Fig.12, p.7):

- (1) ELAPSED playing time (36).
- (2) REMAINING time of a track (36). If the current track number is over 34, "....." is displayed.
- (3) TOTAL remaining time of the disc (36).

### 13. REPEAT PLAYBACK

- 1) Press REPEAT button, the REPEAT 1 indicator lights (30), the player repeats the one track selected.
- 2) Press REPEAT button again, the REPEAT ALL indicator lights (30). The player will then repeat all tracks on disc.
- 3) Press REPEAT button again, the repeat function is cancelled.

### 14. PITCH BENDING

- The speed increases or decreases respectively when the PITCH BEND+(9) or PITCH BEND- (9) button is pressed. The extent to which the speed changes is proportionate to the amount of time the button is pressed. For example, if the PITCH BEND+ button is held in continuously, the speed increases continuously.
- The pitch can be changed from +/08%, +/- 12% or +/- 16% range. See changing PITCH PERCENTAGE (%) (16).
- The jog wheel will temporarily bend the pitch of the music if the song is already playing. Rotate the wheel clockwise to speed up or counterclockwise to slow down. The speed that you rotate the JOG WHEEL determines the percentage (%) of the PITCH BEND.

### 15. PROGRAM PLAY

- (1) Press the PROG. BUTTON (4) to make the unit enter the program mode in stop position. The program indicator LED above the PROG BUTTON will light as well as the PROGRAM INDICATOR (29) on the LCD DISPLAY (8).
- (2) Select a Track by using the NUMBER BUTTONS (3), press PROG. BUTTON (4) again.
- (3) Repeat this up to 30 times (ie. up to 30 tracks can be programmed). If you keep pressing the PROG. BUTTON (4) the LCD DISPLAY (8) will show which tracks have been programmed.
- (4) Press the PLAY BUTTON (22) to begin playing programmed tracks.
- (5) To cancel Program press and hold PROG. BUTTON (4) more than 2 seconds.

## MATCHING THE BEATS PER MINUTE (BPM)

- (1) Find the BPM of the song playing by pressing the BPM BUTTON (17). next, tap the COUNTER BUTTON (18) firmly to the beat of the music until a BPM is displayed on the LCD DISPLAY (33).
- (2) Repeat step 1 for the song you want to mix in. You can listen in by cueing it in your headphones using your mixer or by following the BEAT LED [above BPM (17)] on the CD Player.
- (3) Engage Pitch by pressing PITCH (6) on the side you want to use, make sure Readout is in BPM by pressing BPM BUTTON (17) until BPM is lit on LCD DISPLAY (33). Adjust pitch until same BPM as original song is reached.

## BEFORE SWITCHING OFF THE POWER

- When you have finished using the CD player, and before switching off the power, be sure that the disc holder has been closed with the OPEN/CLOSE button (see figures 25 & 26).
- **TRAY PROTECTION:** If tray is not closed after 60 seconds, it will close automatically and pause.  
**CAUTION: DO NOT** forcibly close the disc holder when the power is off.

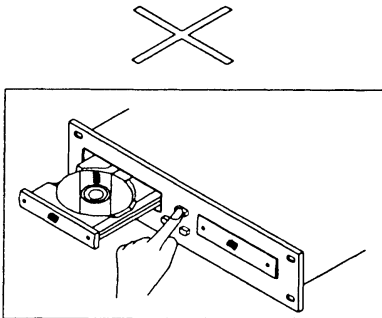


Fig. 25

**DO NOT** switch off the power when the disc holder is open.

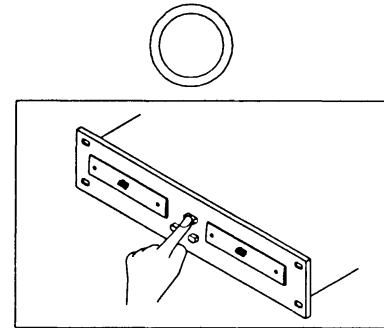


Fig. 26

Switch off the power after the disc holder has been closed with the OPEN/CLOSE button.

## COMPACT DISCS

### 1. PRECAUTIONS ON HANDLING COMPACT DISCS

- Do not allow fingerprints, oil or dust to get on the surface of the disc. If the disc is dirty, wipe it off with a soft dry cloth.
- Do not use benzene, thinner, water, record spray, electrostatic-proof chemicals, or silicone-treated cloths to clean discs.
- Always handle discs carefully to prevent damaging the surface; in particular when removing a disc from its
- Do not bend the disc.
- Do not apply heat.
- Do not enlarge the hole in the center of the disc.
- Do not write on the label (printed side) with a hard-tipped implement such as a pencil or ball point pen.
- Condensation will form if a disc is brought into a warm area from a colder one, such as outdoors in winter. Do not attempt to dry the disc with a hair dryer, etc.

### 2. PRECAUTION ON STORAGE

- After playing a disc, always unload it from player.
- Always store the compact disc in the jewel case, protecting from dirt or damage.
- Do not place discs in the following areas:
  - a) Areas exposed to direct sunlight for a considerable time.
  - b) Areas subject to accumulation of dust or high humidity.
  - c) Areas affected by heat from indoor heaters, etc.

### CDS LEFT IN PLAYER

If a CD is left in the player and the remote has been disconnected, plug power cable in, turn on power and take out CD.

# SPECIFICATIONS

## GENERAL

|                           |   |   |                   |
|---------------------------|---|---|-------------------|
| Type:                     | Twin mechanism compact disc player with wired controller. |   |                   |
| Disc type:                | Standard compact discs (5 in / 12cm and 3in/8cm discs)    |   |                   |
| Dimensions:               | Player unit:  | 19"(W) x 3 15/32" (H) x 9 55/64" (D)            |                   |
|                           |   | 482mm (W) x 88mm (H) x 264mm (D) (without feet) |                   |
|                           | Control unit:   | 19"(W) x 5 3/4" (H) x 1 37/64" (D)              |                   |
|                           |   | 482mm (W) x 132mm (H) x 74mm (D) (without feet) |                   |
| Installation:             | 19-inch rack mountable                                    |   |                   |
|                           | Player unit:  | 2U / 2 rack spaces                              |                   |
|                           | Control unit:   | 3U / 3 rack spaces                              |                   |
| Weight:                   | Player unit:  | 11 lbs. / 5 kgs                                 |                   |
|                           | Control unit:   | 4.5 lbs. / 2 kg                                 |                   |
| Power supply:             | 115/230V AC, 50/60Hz                                      |   |                   |
| Power consumption:        | 25W   |   |                   |
| Environmental conditions: | Operational temperature:                                  | 5 to 35°C                                       | (41 to 95°F)      |
|                           | Operational humidity:                                     | 25 to 85%                                       | (no condensation) |
|                           | Storage temperature:                                      | -20 to 60°C                                     | (4 to 140°F)      |
|                           |   |   |                   |
| Accessories:              | Connecting cord (2 sets for left and right channels)      |   |                   |
|                           | Control cord (1.8m / 6 feet)                              |   |                   |

## AUDIO SECTION

|                             |                              |
|-----------------------------|------------------------------|
| Quantization:               | 16 bit linear per channel    |
| Sampling rate:              | 44.1 kHz at normal pitch     |
| Over sampling rate:         | 8 times                      |
| D/A conversion              | 16 bit                       |
| Frequency response:         | +/- 1 dB 20 Hz to 20,000 KHz |
| Total harmonic distortion:* | 0.02%                        |
| Signal to noise ratio:*     | 88 dB                        |
| Channel separation:*        | 80 dB                        |
| Output level:               | 2.0V +/- 1dB                 |
| Load impedance:             | 47 kohm or more              |

\* with 20KHz low pass filter

## FUNCTIONS

|                  |                             |
|------------------|-----------------------------|
| Variable pitch:  | +/-8%, +/-12% or +/-16%     |
| Search accuracy: | 1/75 sec. (1 subcode frame) |

Specifications and design are subject to change without notice for purpose of improvement.

American DJ® AUDIO World Headquarters:  
4295 Charter Street  
Los Angeles, CA 90058 USA  
Tel: 323-582-2650  
Fax: 323-582-2610

Web: [www.americandj.com](http://www.americandj.com)  
E-mail: [info@americandj.com](mailto:info@americandj.com)

revised 8/99

